

ERGOHUMAN ULTRA





ERGOHUMAN
ULTRA



**THE WORLD MOST
COMPETITIVE MESH CHAIR**

ERGOHUMAN ULTRA

CUTTING-EDGE DESIGNS >>



6D ADJUSTABLE
AUTOMATIC LUMBAR
SUPPORT

FPC
HIGH-TECH
POLYMERIC
MATERIAL

MESH SUPPORT
12 ZONE INDIVIDUAL
ELASTOMER

4D ARMREST

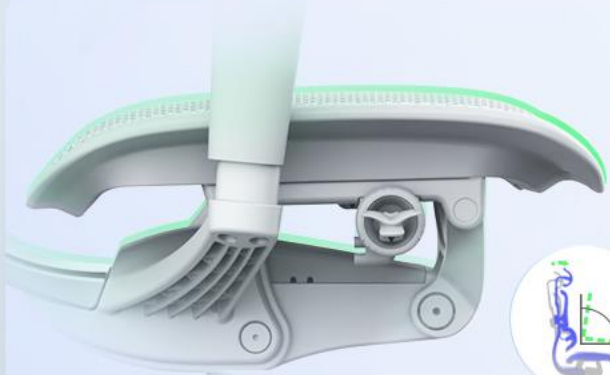
EAGLE MAIN
CONTROL SYSTEM



ERGOHUMAN ULTRA

INNOVATION TO UPGRADE >>

EAGLE MECHANISM



FORWARD TILT



RECLINE

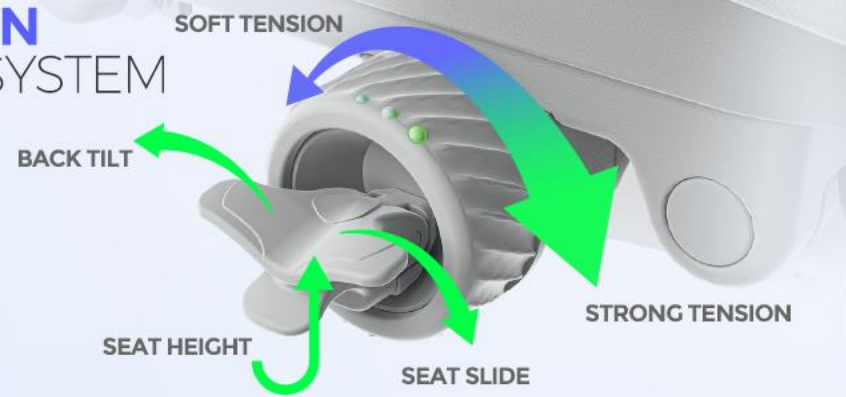


TENSION ADJUSTMENT



SEAT DEPTH

EAGLE MAIN CONTROL SYSTEM



BACK TILT

SEAT HEIGHT

SEAT SLIDE

SOFT TENSION

STRONG TENSION

4D ARMREST



HEIGHT



DEPTH



WIDTH



ANGLE

BIONIC LUMBAR & BACK SEPARATION

6D ADJUSTABLE AUTOMATIC LUMBAR SUPPORT



WAIST TRACKING



LEFT & RIGHT MOVEMENT



LARGE SCALE



TENSION ADJUSTABLE



ERGOHUMAN ULTRA

DRIFT AND STRESS-RELEASE » EAGLE MECHANISM

- 1/ **NECK SUPPORT** UNCHANGED
- 2/ **LUMBAR SUPPORT** UNCHANGED
- 3/ **FEET FLAT ON FLOOR**
LEG NOT PRESSED
- 4/ **EASY TO RECLINE**
EASY TO GET UP



ERGOHUMAN ULTRA

NEW GENERATION

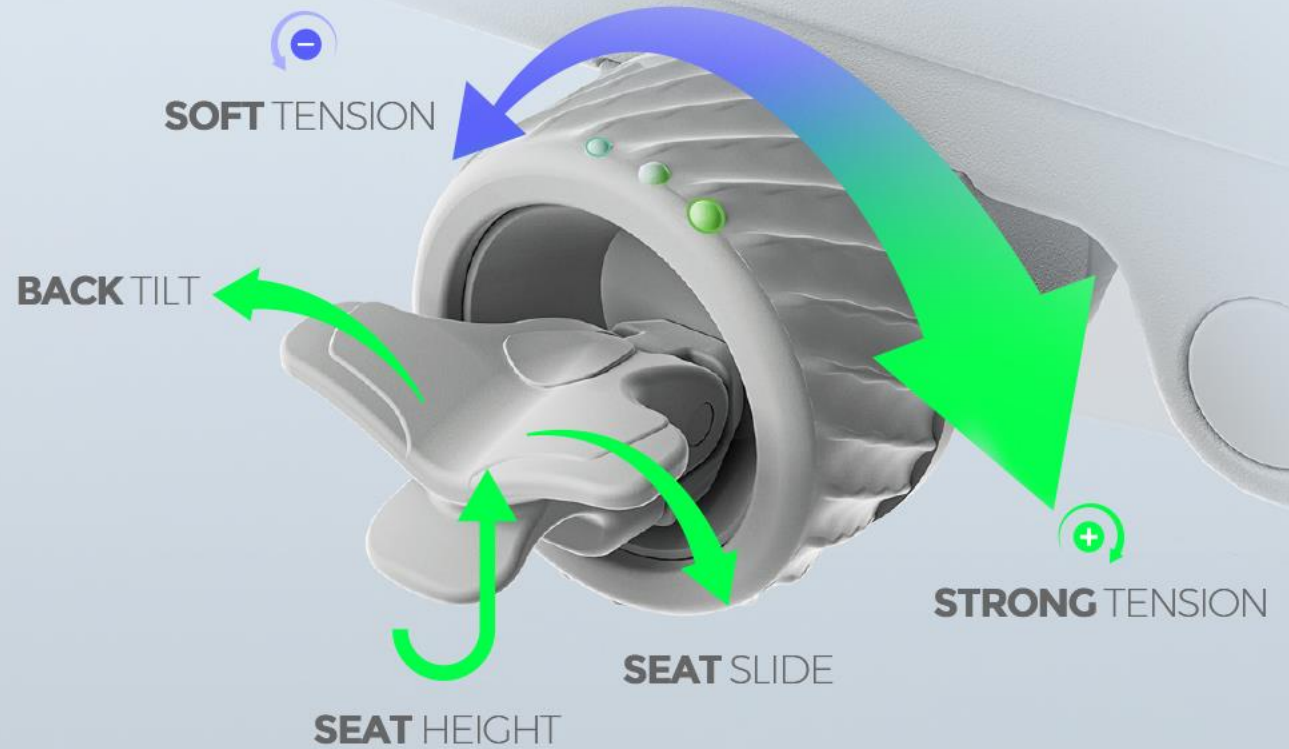
EAGLE MAIN CONTROL SYSTEM >>

- **SEAT HEIGHT, SEAT DEPTH, RECLINE, AND TENSION ADJUSTMENT**

COMFORT PATENTED PREMIUM DESIGN, ACHIEVE THE SEAT HEIGHT, SEAT SLIDE, RECLINE AND TENSION ADJUSTMENT TO BE OPERATED IN ONE POSITION

- **TACTILE IDENTIFICATION SYSTEM**

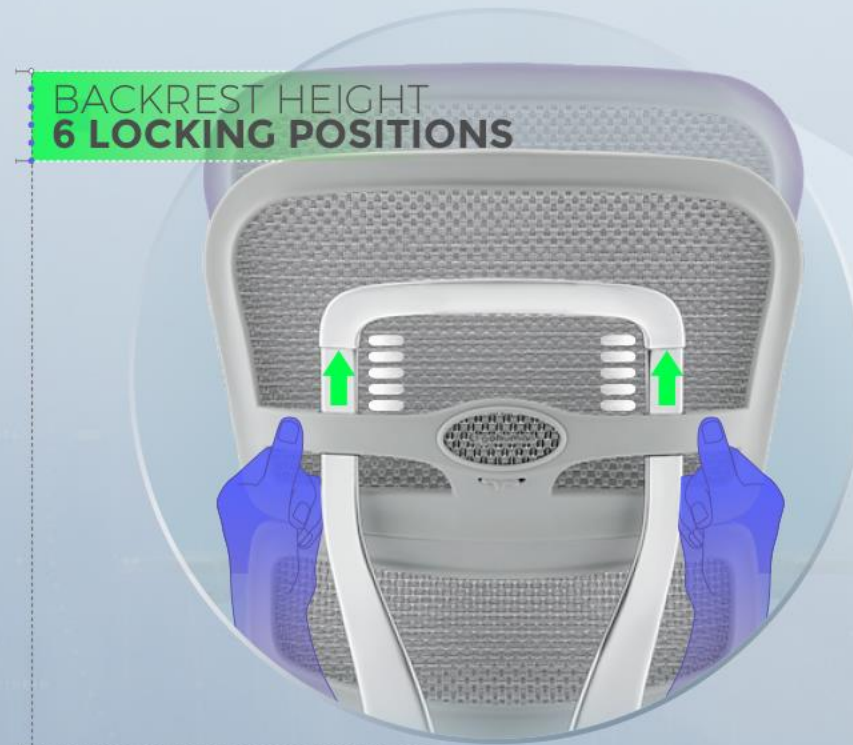
UNIQUE TACTILE DOTS DESIGN, EASILY IDENTIFY AND ADJUST THE RECLINE TENSION WITHOUT LAY DOWN TO SEE THE LEVER



ERGOHUMAN ULTRA BIONIC LUMBAR

& BACK SEPARATION DESIGN »

- 1/ MAINTAIN NATURAL **S-SHAPE CURVE OF SPINE**
- 2/ **6 LOCKING** POSITIONS FOR PROPER POSTURE
- 3/ **MEET DIVERSE** NEED OF DIFFERENT USER



SHOULDER

BACK

LUMBAR



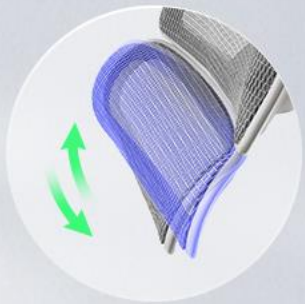
ERGOHUMAN ULTRA

6D AUTOMATIC LUMBAR SUPPORT >>

- LARGE CURVED LUMBAR SUPPORT TO FIT VARIOUS SITTING POSTURE AND MEET DIVERSE NEED OF DIFFERENT USERS



UP & DOWN



LEFT & RIGHT



FORWARD & BACKWARD



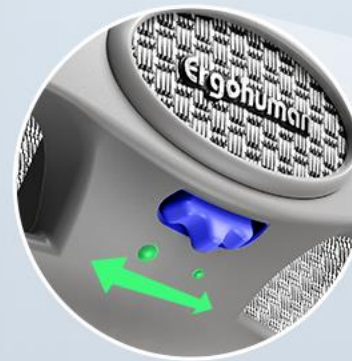
UP & DOWN

LEFT & RIGHT

ERGOHUMAN ULTRA

12 ZONE INDIVIDUAL ELASTOMER MESH SUPPORT »

LUMBAR SUPPORT TENSION AUTOMATICALLY ADJUST, AND CAN INCREASE OR DECREASE THE SUPPORT TENSION BY 40% MANUALLY ADJUSTING THE KNOB, SHAPING A MORE COMFORTABLE NATURAL SUPPORT FOR THE LUMBAR VERTEBRA.



TACTILE IDENTIFICATION KNOB
+40% LUMBAR SUPPORT TENSION



WAIST TRACKING



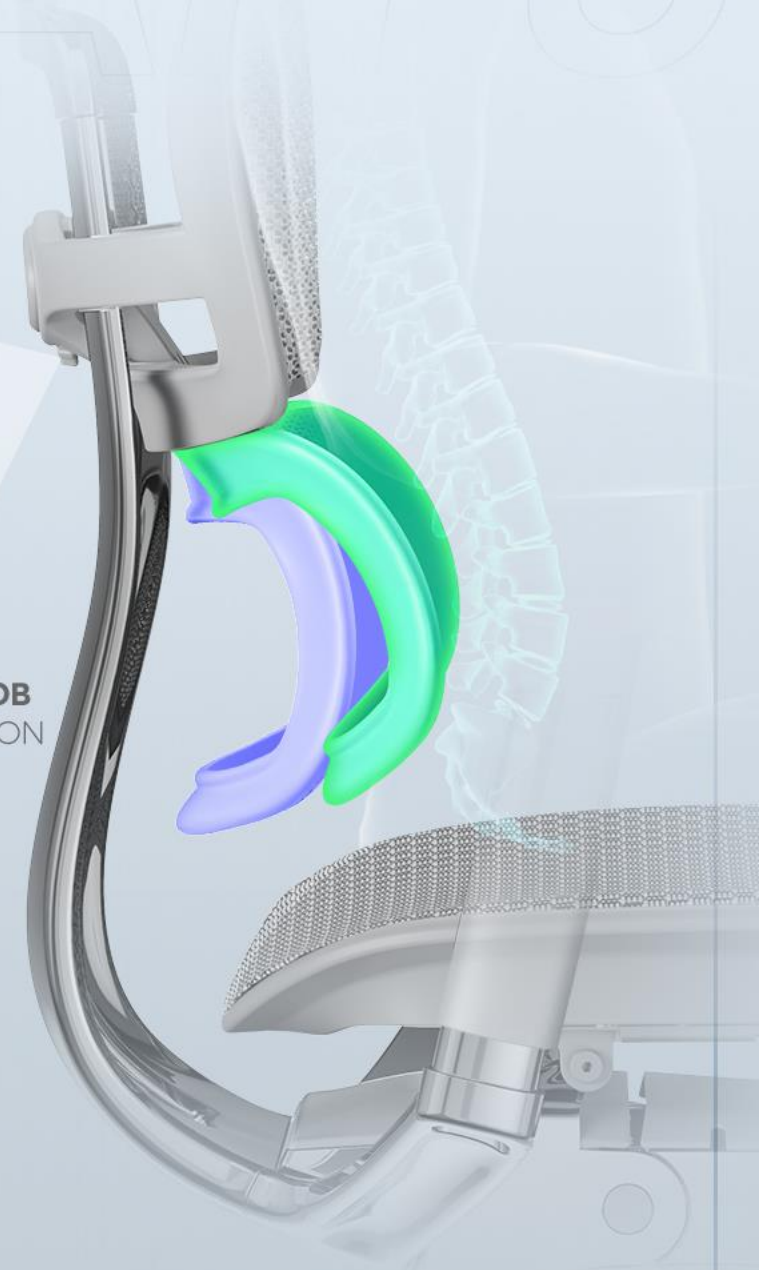
**LEFT & RIGHT
MOVEMENT**



LARGE SCALE



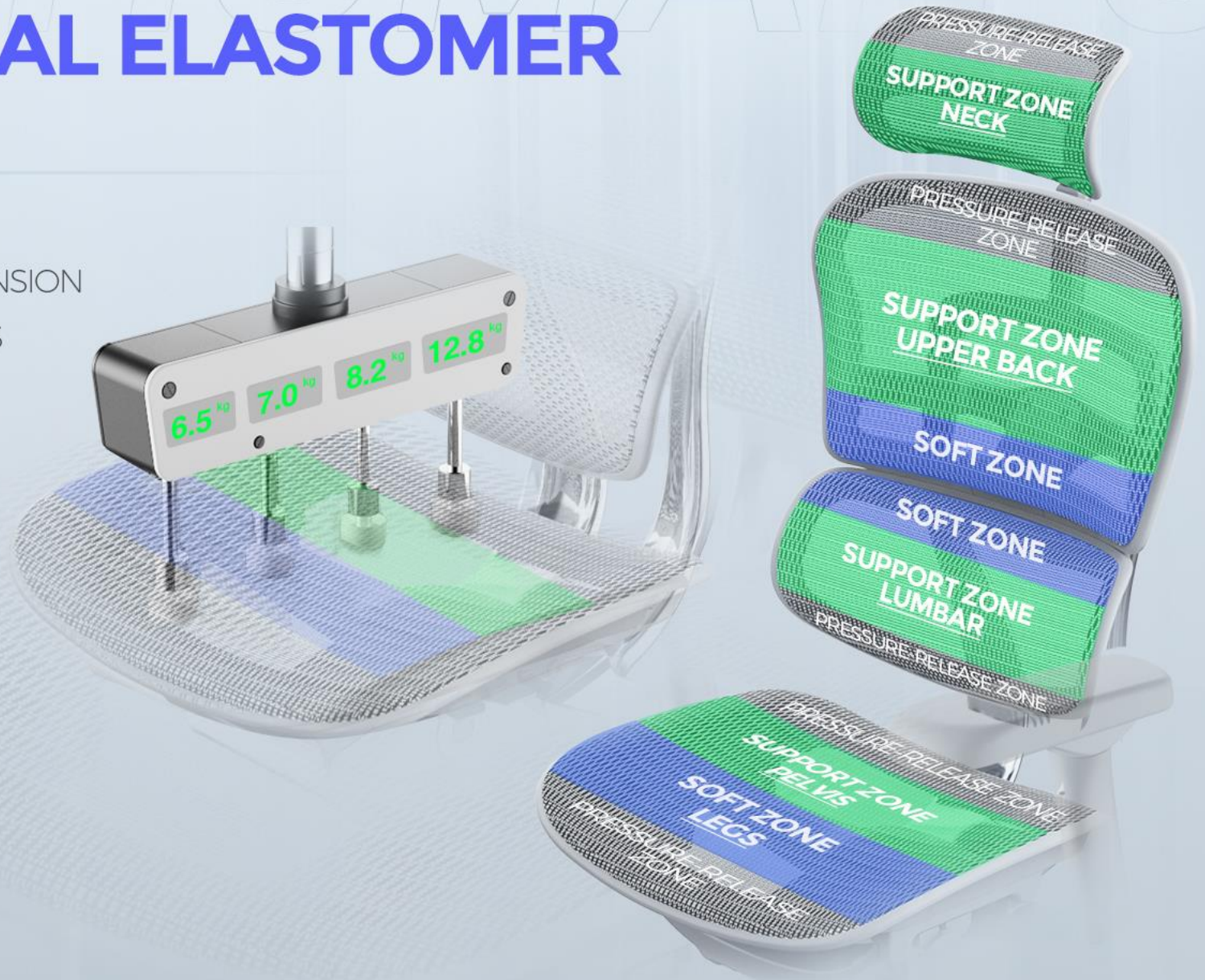
**TENSION
ADJUSTABLE**



ERGOHUMAN ULTRA

12 ZONE INDIVIDUAL ELASTOMER MESH SUPPORT »

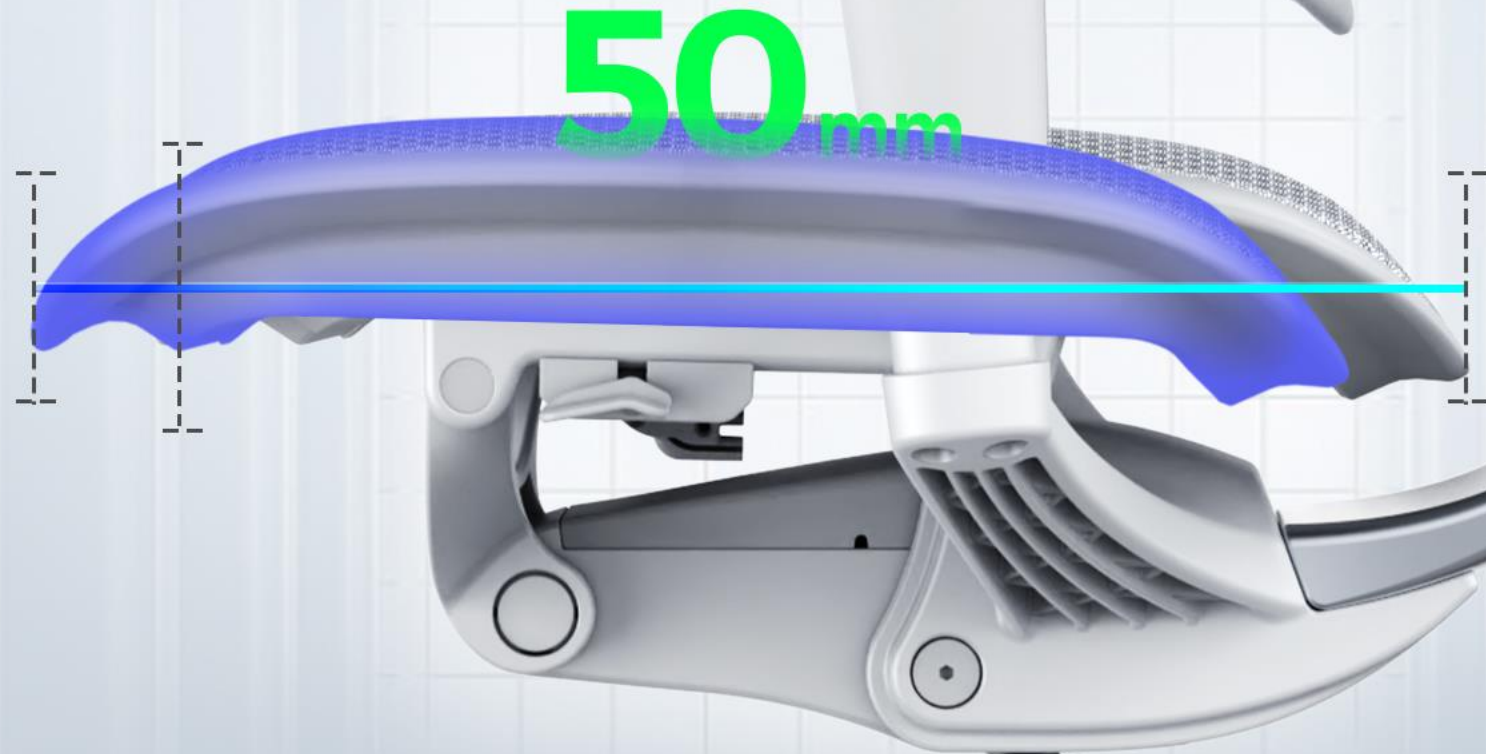
- 1/ NEW HIGH-TECH MESH
- 2/ DIVEDED INTO 12 ZONES OF DIFFERENT TENSION
- 3/ EFFECTIVE RELEASE OF SEDENTARY STRESS



ERGOHUMAN ULTRA

SEAT DEPTH ADJUSTMENT »

- 1/ SEAT DEPTH ADJUSTABLE RANGE 50 MM
- 2/ FULL SUPPORT FOR LEGS, AVOID LEG DISCOMFORT



ERGOHUMAN ULTRA

FORWARD SEAT ANGLE SEAT BACK & CUSHION »

- NOT EASY TO GET TIRED, HELPING TO DISPERSE THE PRESSURE ON THE SPINE
- MAINTAIN HEALTHY DESK WORK POSTURE



ERGOHUMAN ULTRA

5D⁺ ARMREST (OPTIONAL) »

1/ LARGE ARMPADS WITH SUPER SOFT TOUCH, FRIENDLY FOR ARMS

2/ INTERGRATED WITH HEIGHT, DEPTH, WIDTH, ANGLE, FRONT-END TILT-UP AND SYNCHRO TILT FUCTION



HEIGHT



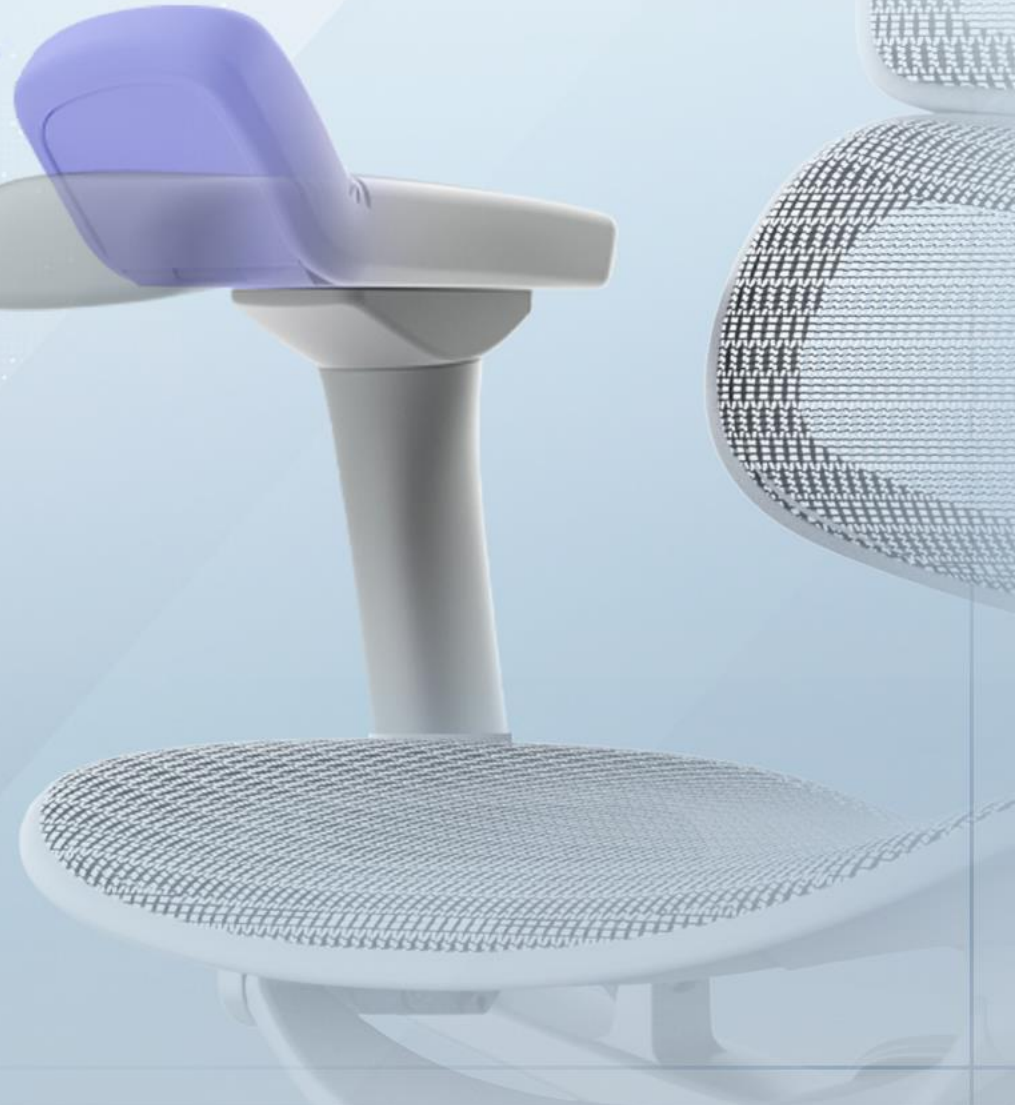
DEPTH



WIDTH



ANGLE



ERGOHUMAN ULTRA

ARMREST SYNCHRO TILT DESIGN »

STABLE DYNAMIC SUPPORT FOR ARM,
RELEASING PRESSURE ON THE SHOULDER WHEN USER RECLINE



ERGOHUMAN ULTRA

2D HEADREST »

325mm



- DEEPLY FIT TO THE NECK, RELEASING CERVICAL PRESSURE



HEADREST
HEIGHT

HEADREST
ANGLE

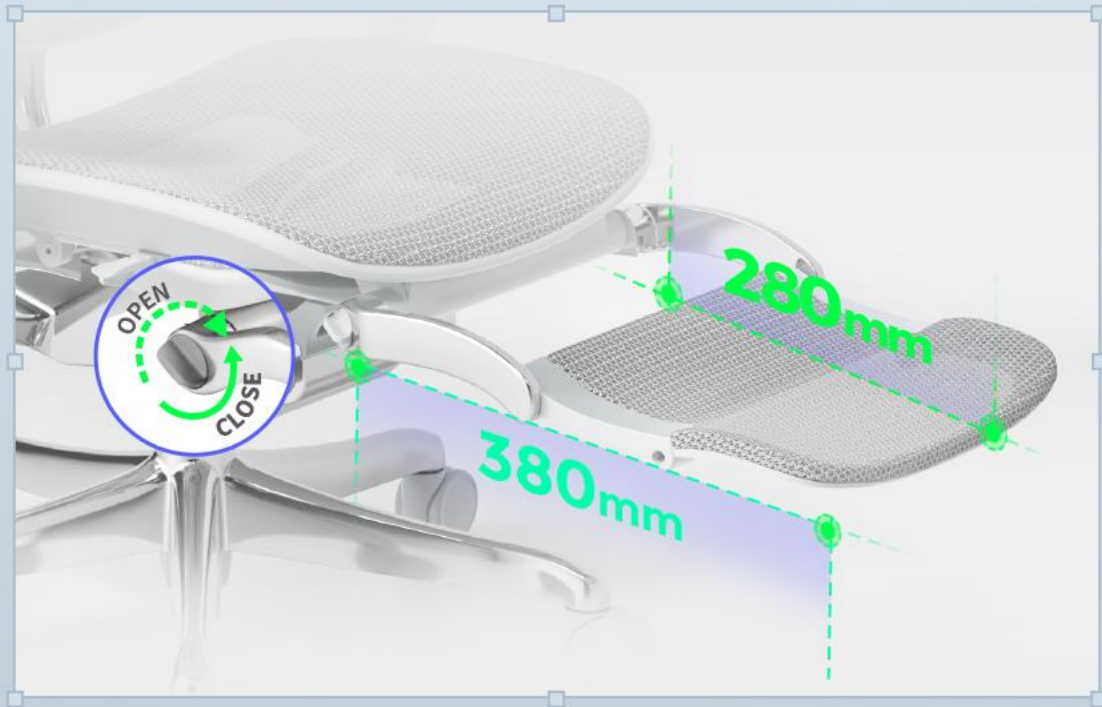


ERGOHUMAN ULTRA

TOP OF CLASS ACCESSORIES >>

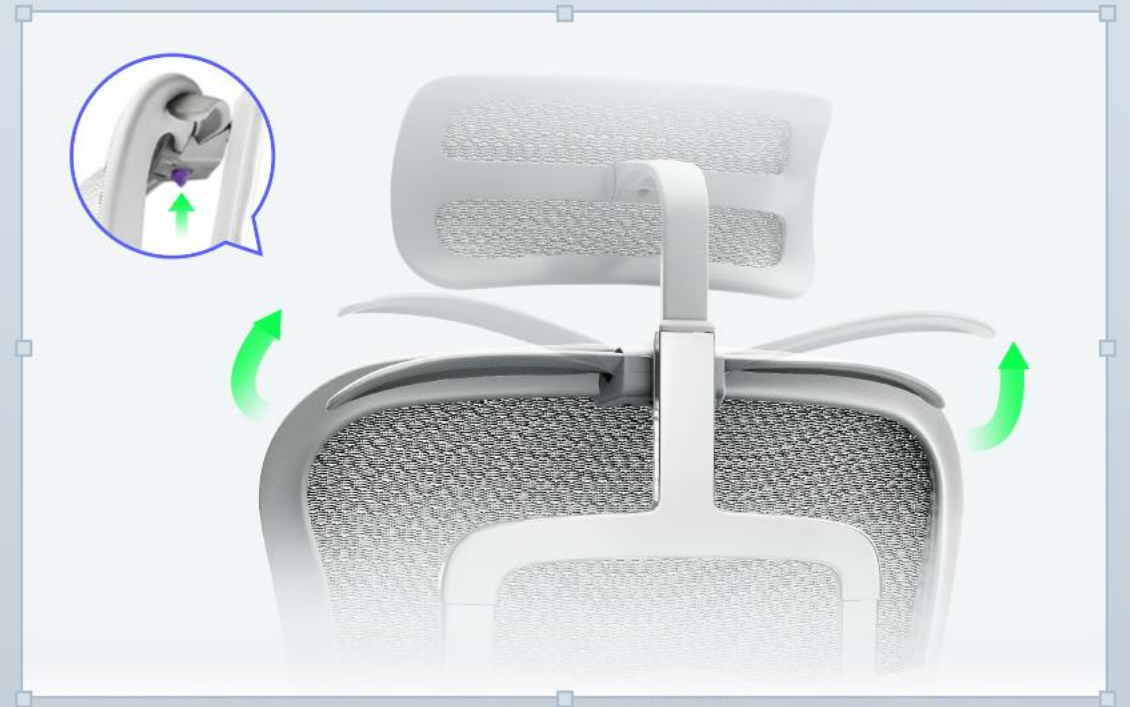
ENHANCED-COMFORT FOOTREST

UPGRADED COMFORT,
CAUSE NO PRESSURE ON LEGS



STEALTH COAT HANGER

ONE CLICK TO STORAGE, ROUNDED ARC DESIGN TO
PREVENT SCRATCHING CLOTHING



ERGOHUMAN ULTRA

FPC HIGH-TECH MATERIAL

(FUNCTIONAL POLYMERIC COMPOSITE) >>

LIGHTER, FIRMER, MORE ECO-FRIENDLY,
AND WITH HIGHER QUALITY SURFACE



FIRMER

LIGHTER



**REDUCE INDOOR AIR POLLUTION
AND THE RISK OF CHEMICAL EXPOSURE**

HIGHER QUALITY SURFACE



ERGOHUMAN ULTRA

APPLICABLE SCENE >>



ERGOHUMAN ULTRA

DIMENSIONS & OPTIONS >>



FRAME OPTIONS

SPACE GRAY FRAME



BLACK FRAME



T168 MESH



BLACK



NATURAL



SCARLET



COBALT



PINK



GREEN

W09 MESH



BLACK



WHITE



GREY



BLUE

ERGONOMY
INTERNATIONAL

ERGOHUMAN *ULTRA*

SHOCK AND AWE

